



POWER SOAK SYSTEM

ADVANCED CONTINUOUS POT, PAN & SHEET PAN WASHING SYSTEM WITH 6" SPACED WASH JETS, MODEL PSA

The Power Soak Advanced System is a three-bay continuous pot, pan and sheet washing system with custom configured lengths and options. The patented Parallel Wash System's washing wave action, with wash jets located every 6 inches along the back wall of the wash tank, continuously rotates wares from the back of the wash tank up to the operator in hot soapy water that removes baked-on food soils, providing unparalleled results with an excellent ROI.



PROJECT NAME:	
LOCATION:	
ITEM NO:	
QTY:	
MODEL NO:	
AIA NO:	
SIS NO:	
CSI SECTION:	11400



AVAILABLE MODELS:

- PSA-S-114L-208-3
- PSA-S-120L-208-3
- PSA-S-126L-208-3
- PSA-S-138L-208-3
- Custom configuration (see page 3)

STANDARD SPECIFICATIONS:

- Available left-to-right or right-to-left operation
- 34" front to back depth
- All tanks and tabling: 14 gauge, 304 stainless steel
- System conforms to ANSI/NSF Standard 2 with all welds to be heliarc (TIG) welds
- Backsplash to be 9.5" overall height, 6" vertical with 45 degree angle to wall with 1-1/2" turn up
- 1" End splash on both ends
- Soiled dish table custom length with 12" or 24" scrap sink
- Wash tank shall be 28.75" front-to-back x 21" deep
- Wash tanks available in 36", 42", 48" or 60" lengths
- 36", 42" or 48" wash tanks to be a 2 HP motor
- 60" wash tank to be a 3 HP motor
- Wash pump motor with stainless steel impeller, pump housing and wash manifold
- Parallel wash flow with low profile wash jets spaced every 6" flush along the back wall of wash tank and above the wash pump intake
- Stainless steel wash pump intake to run full length of the rear of wash tank, below wash jets
- Bottom of wash tank creased to facilitate draining
- Stainless steel wash pump housing fully self-draining with no use of drain line or valve
- 7000 watt wash tank heater maintains wash tank temperature of 115° +/- 1/2 °F
- Powered utensil basket is powered by dedicated wash jet

- Rinse and sanitizer sinks each shall be 28.75" i.d. front to back
- Drains and faucets included, but optional
- Available in one-piece construction up to 192"
- Available in two-piece construction with welded field joint, welded in field by others, mechanical field joint (JBZ), assembled in field by others
- For custom configurations, available with additional controls, voltages and accessories (consult factory)

CONTROLS:

PS-100 Control:

- Wash tank heat maintains a temperature of 115°F (+/- 1/2°F)
- Low voltage power is supplied to all operator controls
- Operator controls: green (ON) and red (OFF) buttons
- Automatically monitors and regulates wash water temp
- Accepts optional automatic detergent dispenser
- Meets UL 50, category 4X specifications (see PS-100 Control Specification for more detailed features)

INSTALLATION REQUIREMENTS:

- Unit requires hot and cold water connections
- Drain connections
- Single point electrical connection

WARRANTY: 3 years for parts and labor

ELECTRICAL CONNECTION OPTIONS:

WASH TANK SIZES 36", 42", 48", 60" with 7 KW WASH TANK HEATER:

- 208V/60/1, 45.1 Amps
- 208V/60/3, 26.7 Amps
- 230V/60/1, 39.8 Amps
- 230V/60/3, 24.0 Amps

WASH TANK SIZES 60" with 7 KW WASH TANK HEATER:

- 208V/60/3, 29.9 Amps
- 230V/60/3, 26.8 Amps

ACCESSORY OPTIONS:

- Stainless steel sheet pan racks (for 18" x 26" sheet pans)
- Automatic chemical dispenser

ADDITIONAL RESOURCES:

[Request A Quote](#)

[Sales Tools](#)

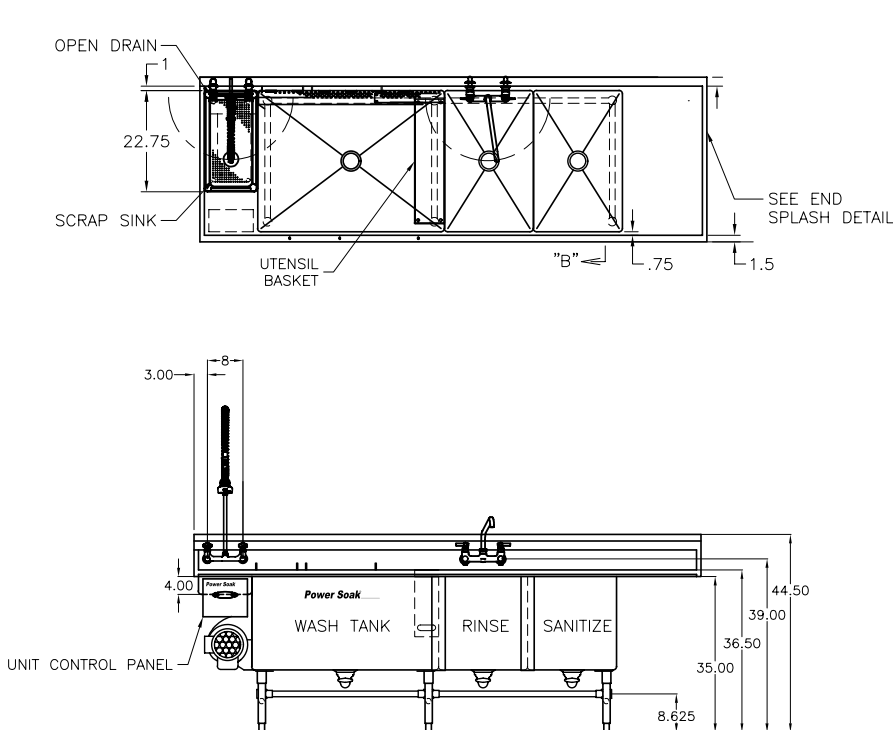
[Find A Rep](#)

PRE-CONFIGURED SKU'S:

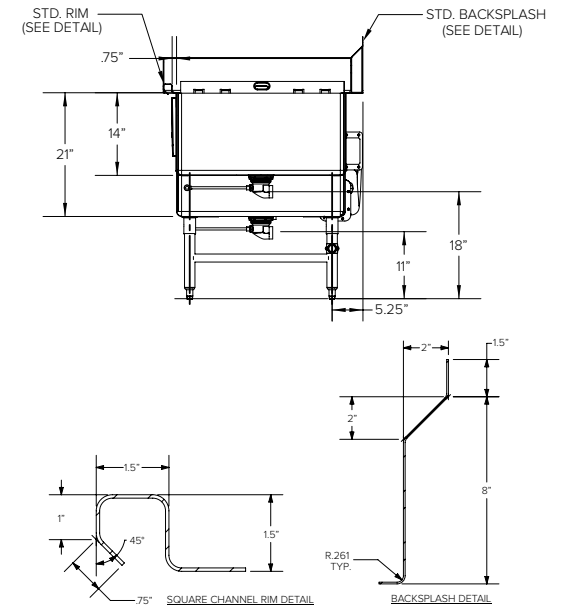
One-piece construction with welded field joint, mechanical field joint (JBZ)

Part No.	Length	Voltage	CONFIGURATIONS OF UNIT LEFT TO RIGHT							
			End Splash	Soiled Drain Board	Scrap Sink	Wash Tank	Rinse Tank	Sanitizer Tank	Clean Drain Board	End Splash
PSA-S-114L-208-3	114"	208V/3	1"	6"	12"	36" x 21"	20" x 14"	20" x 14"	18"	1"
PSA-S-120L-208-3	120"	208V/3	1"	6"	12"	42" x 21"	20" x 14"	20" x 14"	18"	1"
PSA-S-126L-208-3	126"	208V/3	1"	6"	12"	48" x 21"	20" x 14"	20" x 14"	18"	1"
PSA-S-138L-208-3	138"	208V/3	1"	6"	12"	60" x 21"	20" x 14"	20" x 14"	18"	1"

TOP & FRONT VIEW EXAMPLE



SIDE VIEW EXAMPLE

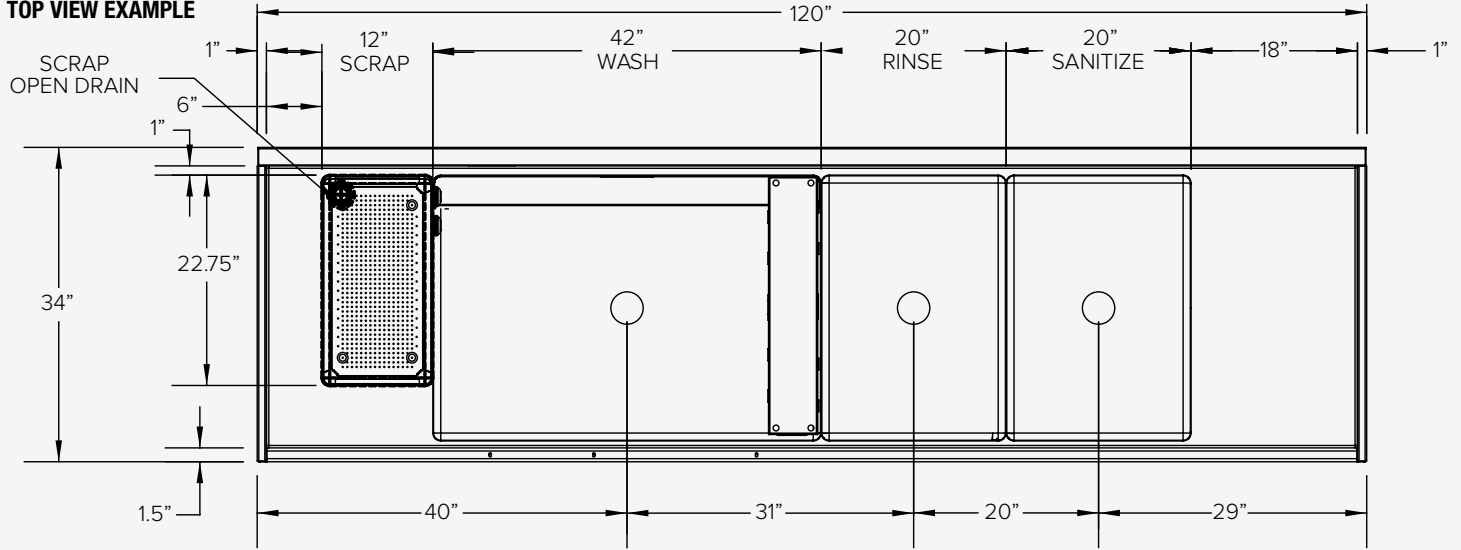


CUSTOM CONFIGURATION:

Left-to-Right (End Splash → Soiled Drain Board → Scrap Sink → Wash Tank → Rinse Tank → Sanitizer Tank → Clean Drain Board → End Splash)

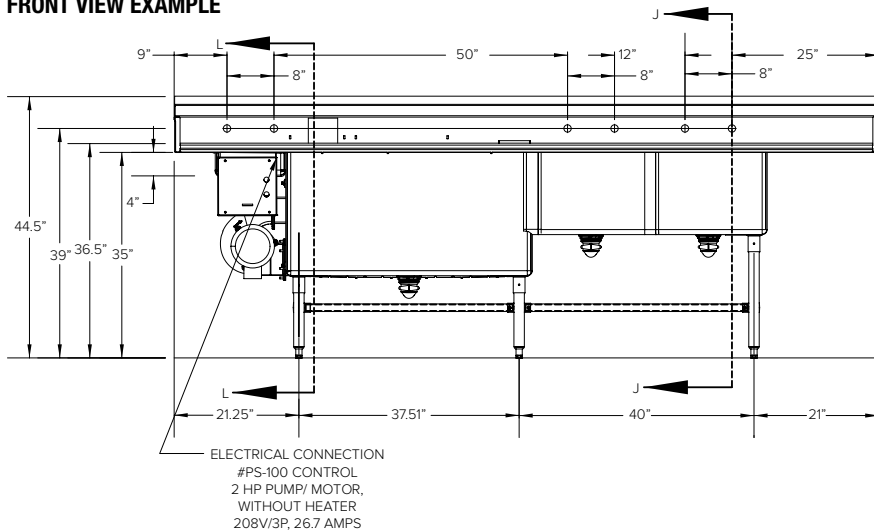
Right-to-Left (End Splash ← Clean Drain Board ← Sanitizer Tank ← Rinse Tank ← Wash Tank ← Scrap Sink ← Soiled Drain Board ← End Splash)

TOP VIEW EXAMPLE



END SPLASH:	SOILED DRAIN BOARD:	SCRAP SINK:	WASH TANK:	RINSE TANK:	SANITIZER TANK:	CLEAN DRAIN BOARD:	END SPLASH:
1"W	Custom	12"W	36"W x 21"D	20"W x 14"D	20"W x 14"D	Custom	1"W
	Enter Width:	24"W	42"W x 21"D	24"W x 14"D	24"W x 14"D	Enter Width:	
			48"W x 21"D	30"W x 14"D	30"W x 14"D		
			60"W x 21"D				

FRONT VIEW EXAMPLE



SIDE VIEW EXAMPLE

